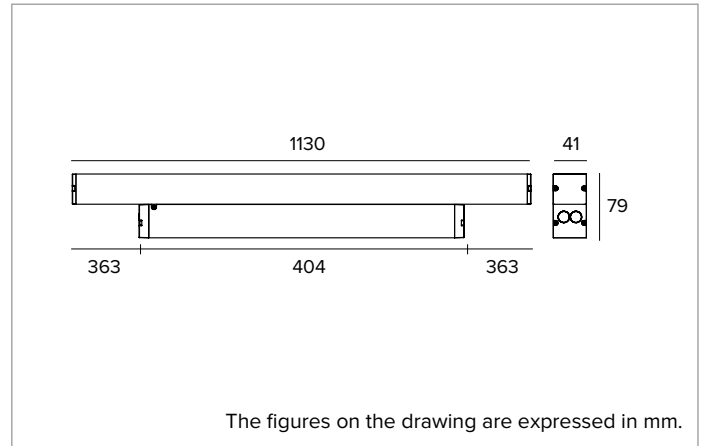


1T6784DA | JEDI COMPACT Indoor

Adjustable linear LED projector



		3000K	H(m)	D1(m)	D2(m)	Emax(lx)
		Ra90	32°	85°		
Fixture Power	53W	1	0.57	1.84	4195	
Source Flux	6000lm	2	1.14	3.68	1049	
Fixture Flux	4482lm	3	1.70	5.52	466	
Efficacy	85lm/W	4	2.27	7.36	262	
TS1079	I _{max} =699cd/klm	I _{max}	4195cd	5	2.84	9.20 168



SOURCE

High Power Ra90 linear LED board.

Energy efficiency class: E

Nominal power: 48W

Nominal flux: 6000lm

Colour rendering index: 90

Rf: 91.4

Rg: 100.8

CCT nominal: 3000K

SDCM: 3

Lifetime (L80/B10): >50000h tq +25°C

ILLUMINOTECHNICAL CHARACTERISTICS

Internal optical system composed of a primary cylindrical glass lens, a high reflectance anodised aluminium reflector and an integrated holographic filter. Flood version.

Optic: HYBRID

Beam angles: FL

Optical efficiency: 75%

Fixture flux: 4482lm

Luminous efficacy: 85lm/W

Photobiological safety: Compliant with RG1 low risk group

MECHANICAL CHARACTERISTICS

Extruded anodised aluminium 15µ body. 1.8mm thick polycarbonate removable (to insert accessories) flat screen. Removable driver box. The body of the fixture is adjustable and can be installed away from the mounting surface using accessory brackets.

Colour and finish: Aluminium

Dimensions: L=1130mm

Weight: 2.05Kg

Version: INTEGRATED-REMOVABLE DRIVER

Degree of protection: IP40

ELECTRICAL CHARACTERISTICS

Integrated/detachable driver. Complete with electronic or DALI power supply, pre-cabled with a 1 metre 5x0.75mm² cable. The driver can be removed and placed in another position while remaining connected (cable 0.5m). Luminaire compliant with EN 60598-2-22 for power supply from a centralised emergency system CPSS (Central Power Supply System), not incorporated in the luminaire - high risk areas excluded. The default power and flux are 100% in AC and 100% in DC.

Fixture Power: 53W

Power supply: 220-240Vac 50/60Hz

Insulation Class: CLASS 1

Type of driver / Control: DALI

Driver included: YES

Class F: YES

SAFE FLICKER: PstLM=<1 and SVM=<0.4 (IEC TR 61547-1 and IEC TR 63158), to ensure a more comfortable and safe light

Ambient temperature: 0°C / +25°C

INSTALLATION

To be completed with stainless steel fixed or adjustable brackets.

NOTES

Anti-glare grid available for all versions. Casambi control system available using a dedicated accessory. Commissioning of the control system via free APP; the intervention of a specialist technician can be quoted on request.

WARRANTY

5 years.

WARNING

Luminaire designed for disposal/recycling at end-of-life. Replaceable (LED only) light source by a professional. Replaceable control gear by a professional.

Due to the technological evolution of the electronic components, the data provided may be updated, and as such, confirmation must be requested during the order process.

Luminous flux and power supply have +/-10% tolerances with respect to the indicated value. tq +25°C (CIE 121).

We reserve the right to make technical changes.

Targetti Sankey S.r.l.
Via Pratese, 164
50145 Firenze - Italy
Tel: +39 055 37911
targetti.com
targetti@targetti.com

CCIAA Firenze
Share Capital:
€ 500.000,00
VAT N. (IT):
01537660480
R.E.A: FI-275656

TARGETTI

1T6784DA | JEDI COMPACT Indoor Adjustable linear LED projector

Related codes

Bracket

Code
1T6940

Long bracket kit for surface installation (2 pieces).
Rotation +/-145°.

H mm	Code
52	1T6800

Medium bracket kit for surface installation (2 pieces).
Integrated driver version.
Rotation +/-90°.

Accessories

Grid

L mm	Code
278	1T6795

Symmetrical anti-glare grid.
Installation inside the product.
For Spot, Flood and Grazing versions.
To be ordered in the following quantities for every fixture length: 1 for the 289mm version, 2 for the 570mm version, 3 for the 850mm version and 4 for the 1130mm version.

Bracket

Code
1T6806

Bracket kit for surface installation of the driver box (2 pieces).
Snap brackets.

Control systems



Code
1T5349

IP20 wireless control unit with DALI interface.
It generates a local DALI2 bus, enabling a direct connection to a DALI interface LED driver.
The module can only be used in a closed system and cannot be connected to an existing DALI network.
The module is wireless controlled using a Casambi app for smartphones and tablets using Bluetooth 5.0 technology.
The devices automatically create an adaptive, robust, and reliable wireless mesh network, allowing for the easy and efficient management of a high number of fixtures.
The control unit is preset to the DALI 1CH profile, meaning the device can control a single DALI driver with broadcast commands.
In addition to the DALI broadcast, other operating modes are available, such as:

- Button (normally open)
- Control unit 0/1-10V
- Control unit DALI Tunable White DT8
- Presence sensor



Code
2T0131

IP20 Extender for wireless control of LED driver with dimming DALI (or 1-10V) interface based on Casambi technology.
It has a DALI2 output with the capacity to control up to 40 lighting fixtures.
With the addition of a further external BUS DALI power supply it is possible to control up to 64 fixtures.
IP20 Extender is preset to the DALI broadcast profile, meaning all the luminaires connected to it are dimmable at the same level.
In addition to the DALI broadcast other operating modes are available, such as:

- EXTENDER DALI 8CH
- EXTENDER DALI Tunable White
- EXTENDER 0/1-10V
- EXTENDER DALI 4CH
- EXTENDER DALI DT8 Tunable White

Due to the technological evolution of the electronic components, the data provided may be updated, and as such, confirmation must be requested during the order process.
Luminous flux and power supply have +/-10% tolerances with respect to the indicated value. tq +25°C (CIE 121).

We reserve the right to make technical changes.

Targetti Sankey S.r.l.
Via Pratese, 164
50145 Firenze - Italy
Tel: +39 055 37911
targetti.com
targetti@targetti.com

CCIAA Firenze
Share Capital:
€ 500.000,00
VAT N. (IT):
01537660480
R.E.A: FI-275656

TARGETTI